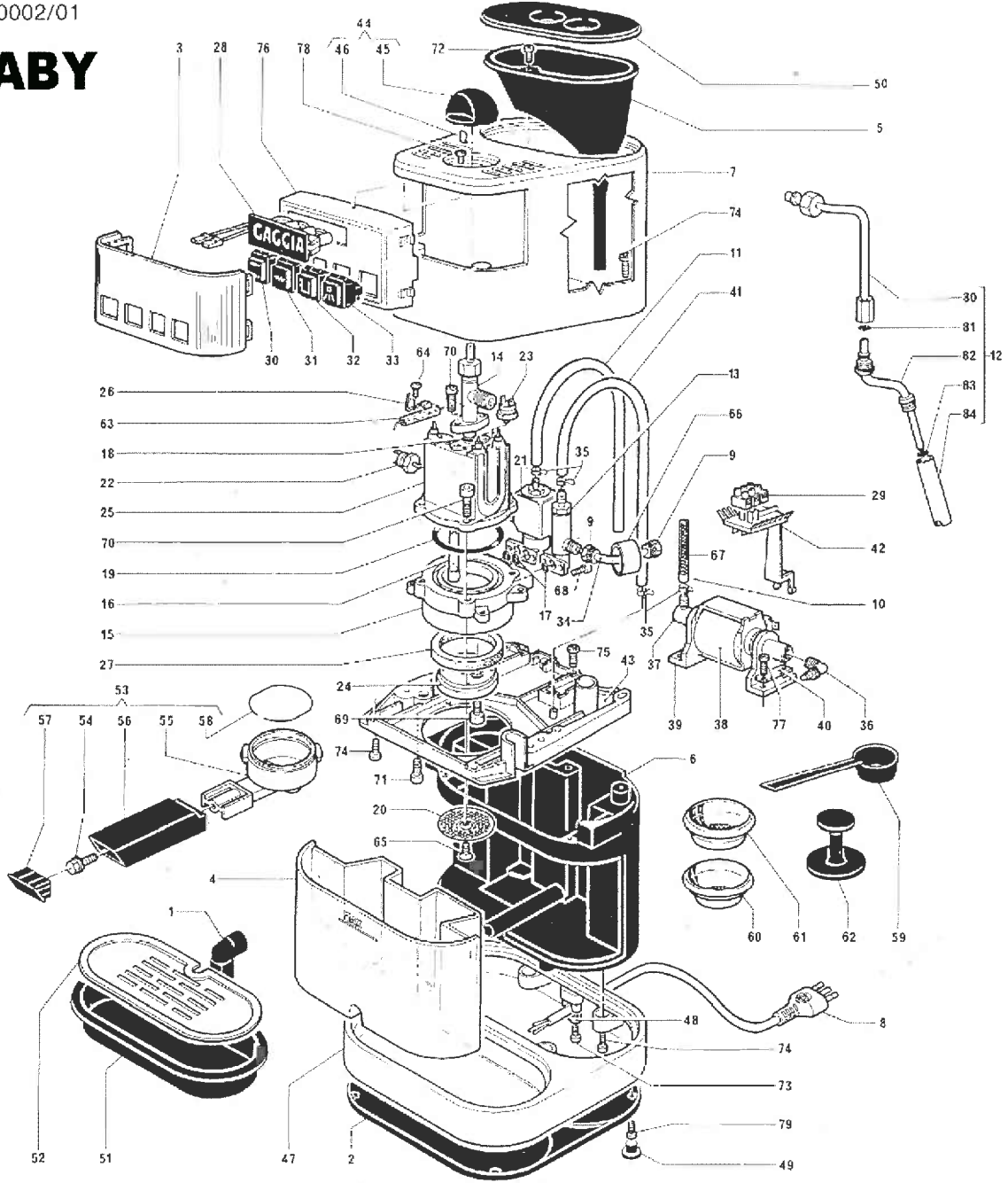


ER 0002/01

BABY



Pos.	Design number	Particular description
1	B.0164	Fitting for outlet pressure
2	B.0168	Bottom plate
3	B.0170	Ornamental jig
4	B.0173	Water tank
5	B.0174	Water conveyor
6	B.0176	Body work - central piece
7	B.0182/A/BI	Upper body work assembly - white
7	B.0182/A/NE	Upper body work assembly - black
7	B.0182/A/RO	Upper body work assembly - red
7	B.0182/A/GR	Upper body work assembly - grey
8	GG.0063	Power cord - Italy
8	GG.0063/CHX	Power cord - Switzerland
8	GG.0063/USA	Power cord - USA
8	GG.0063/SCH	Power cord - Schuko plug
8	GG.0063/GBX	Power cord - England
8	GG.0063/AUS	Power cord - Australia
9	B.0053	Nut
10	B.0157	Suction pipe
11	B.0159	Solenoid valve outlet pipe
12	B.0218/A	Steam jet tubing
13	B.0147/A	Valve assembly
14	B.0153/A	Water valve assembly
15	B.0171	Group body
16	B.0181	Suction pipe - copper
17	DM.0041/022	OR gasket
18	DM.0041/081	OR gasket
19	DM.0041/082	OR gasket
20	DM.0704	Shower disc
21	DM.1152/001	Solenoid valve - 220V. 50 Hz
21	DM.1152/002	Solenoid valve - 120V. - 60 CPS
21	DM.1152/003	Solenoid valve - 240V. - 50 Hz
21	DM.1152/004	Solenoid valve - 110V. - 50/60 CPS
22	DM.1168	Coffee temperature switch
23	DM.1288	Steam temperature switch
24	DY.0036/A	Shower holding plate
25	EF.0030/A	Boiler group - V.120/220/240
26	GG.0064	Fuse support
27	NG.01/001	Group gasket
28	B.0108/A/220	Gaggia lamp V.220-240
28	B.0108/A/120	Gaggia lamp V.120
29	DM.0758-003	Three post - terminal block
30	DM.1328-220	0-1 Switch V.220/240
30	DM.1328-120	0-1 Switch V.120
31	DM.1329-220	Red control lamp V.220/240
31	DM.1329-120	Red control lamp V.120
32	DM.1330-220	Luminescent switch V.220/240
32	DM.1330-120	Luminescent switch V.120
33	DM.1331-220	Luminescent switch V.220/240
33	DM.1331-120	Luminescent switch V.120
34	B.0195	Pump outlet pipe
35	DM.0701	Metal clamp
36	B.0052	Elbow fitting
37	B.0095	Fitting for pump suction
38	DM.1135-220-50	Pump V.220/240 50 Hz
38	DM.1135-120-60	Pump V.120 60 CPS
39	DY.0003	Pump support
40	DY.0008	Pump fixing plate
41	DY.0034	Pressure outlet pipe
42	EF.0035	Support for terminal block
43	EF.0036	Items support
44	B.0185 A	Steam knob assembly
45	B.0167	Steam knob
46	DM.0814	Spring
47	B.0200 A BI	Lower body work - white
47	B.0200 A NE	Lower body work - black
47	B.0200 A RO	Lower body work - red
47	B.0200 A GR	Lower body work - grey
48	FG.0237	Cord clamp
49	FG.0245	Rubber foot
50	B.0130	Tank lid
51	B.0165	Drip tray
52	B.0166	Grid
53	DY.0004/A	Filter - holder assembly
54	DM.1319	M. 6 screw
55	DY.0005	Filter holder
56	DY.0006	Hand grip
57	DY.0007	Plug
58	18G.1514	Spring
59	DM.1017	7 grs. measuring spoon
60	NF.08/004	One-cup filter
61	NF.08/005	Two-cup filter
62	2PR/1	Coffee presser
63	DM.1040	Fuse
64	DIN.7986 - 4 x 6 Z	4 x 6 galv. screw
65	DIN.7987 - 5 x 8 I	5 x 8 s.s. screw
66	B.0196	Safety rubber device
67	DY.0038	Spring for suction pipe
68	UNI.5931 - 5 x 12 Z	5 x 12 galv. screw
69	UNI.5931 - 6 x 12 I	6 x 12 s.s. screw
70	UNI.5931 - 6 x 16 Z	6 x 16 galv. screw
71	UNI.5931 - 5 x 12 I	5 x 12 s.s. screw
72	DIN.7981P3,5x13 I	3,5 x 13 s.s. self tapping screw
73	DIN.7981P3,5x24 Z	3,5 x 24 galv. self tapping screw
74	DIN.7981P4,2x16 Z	4,2 x 16 galv. self tapping screw
75	DIN.7981P4,2x25 Z	4,2 x 25 galv. self tapping screw
76	B.0199/A	Switches support
77	DIN.7981P3,5x16 Z	3,5 x 16 galv. self tapping screw
78	DIN.7986 - 3 x 16 Z	3 x 16 galv. screw
79	DIN.7986 - 3 x 8 Z	3 x 8 galv. screw
80	B.0208/A	Steam pipe - upper part.
81	DM.0041/088	OR gasket
82	B.0209/A	Steam pipe - lower part.
83	DM.0041/092	OR gasket
84	B.0211	Prother spout.
	B.0190	Internal wiring
	B.0204/UL	Internal wiring USA
	B.0204/CSA	Internal wiring Canada